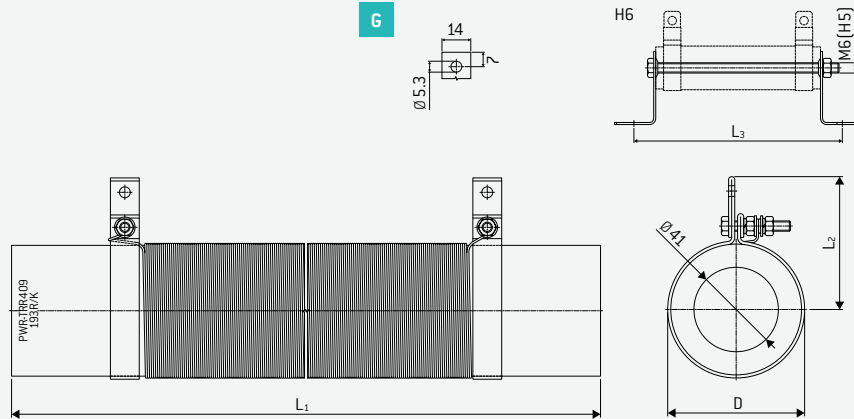


# PWR-TR 4XX WIRE AND TUBE RESISTOR



Tube resistors wrapped with oxidised resistor wire can utilise the maximum performance of the resistor material. The insulation effect of the oxide sheath allows for continuous wrapping without distance between the windings. This enables higher pulse performances as well as a broad spectrum of resistance values.



## TYPE SELECTION AND DIMENSIONS

Type	PN @25°C	Resistance value	Operational voltage	D <sub>max</sub>	L <sub>1</sub>	L <sub>2max</sub>	Weight	L <sub>3</sub>	Connection
				mm	mm	mm	g	mm	
PWR-TR 409	1500 W	4R7 – 1K5	4000 V $\cong$	68	390 $\pm$ 5.5	68	3100	430 $\pm$ 1	G
PWR-TR 410	2000 W	5R6 – 2K2	4500 V $\cong$	68	515 $\pm$ 7.6	68	3750	555 $\pm$ 1	G
PWR-TR 420	2600 W	8R2 – 2K7	4500 V $\cong$	68	660 $\pm$ 8.3	68	5600	700 $\pm$ 1	G

## SAMPLE ORDER

PWR-TR409 40K 5% G H6

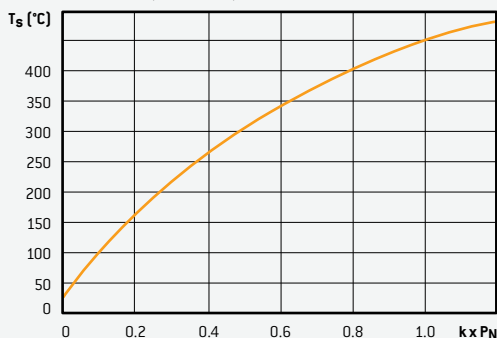
**Holder** H6 (390g)

**Degree of protection** IP 00

**Storage temperature** -25°C at +40°C

## PERFORMANCE-TEMPERATURE-CURVE

T<sub>s</sub> - Surface temperature of the resistor, k x P<sub>N</sub> - proportionate nominal power  
 ■ PWR-TR 409, PWR-TR 410, PWR-TR 420



## PARAMETER

<b>Tolerance</b>	± 5%
<b>Temperature coefficient TC</b>	≤ ± 150 ppm/K
<b>Stability at P<sub>nominal</sub> @ 25°C, 1000 h</b>	± 5%
<b>Max. overload capacity</b>	10 x P <sub>N</sub> , 5 sec
<b>Test voltage against holder</b>	4000 V $\cong$

# ASSEMBLY ACCESSORIES PWR-TR

