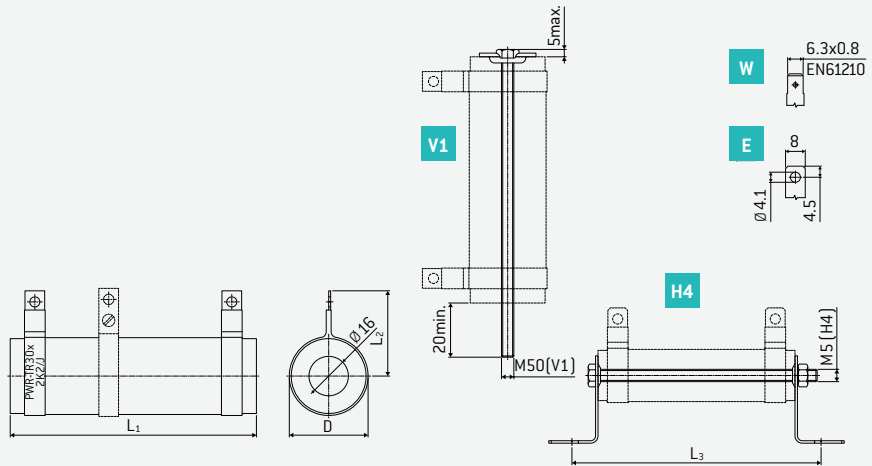


PWR-TR 3XX WIRE AND TUBE RESISTOR UP TO 200 W



Cemented wire tube resistors are thermally optimised resistor designs with a broad spectrum of resistance values and performances. Diverse combination possibilities of the electrical properties, as well as multiple connection and assembly options make these resistors interesting for several applications of automation technology and in mechanical and systems engineering.



TYPE SELECTION AND DIMENSIONS

| Type | PN @25°C | Resistance value | Operational voltage | Dmax | L ₁ | L _{2max} | Weight | L ₃ | Connection |
|------------|----------|------------------|---------------------|------|----------------|-------------------|--------|----------------|------------|
| | | | | mm | mm | mm | g | mm | |
| PWR-TR 301 | 75 W | 0R4 – 47K | 1200V ≅ | 35 | 100 ± 1.8 | 40 | 130 | 124 ± 1 | B/E |
| PWR-TR 302 | 100 W | 0R6 – 82K | 1500V ≅ | 35 | 135 ± 2.5 | 40 | 180 | 160 ± 1 | B/E |
| PWR-TR 303 | 150 W | 0R9 – 110K | 2000V ≅ | 35 | 200 ± 3.8 | 40 | 270 | 226 ± 1 | B/E |
| PWR-TR 304 | 200 W | 1R2 – 120K | 2500V ≅ | 35 | 275 ± 4.6 | 40 | 400 | 302 ± 1 | B/E |

PWR-TRR – Adjustable resistors with additional tap clamp

SAMPLE ORDER

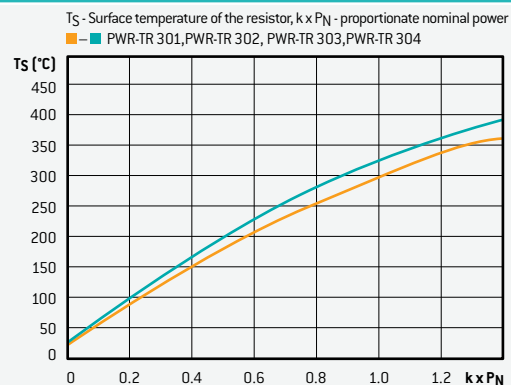
PWR-TR302 28 R 5% E V1

Holder H4 (55g)
V1 (29g)

Degree of protection IP 00

Storage temperature –25°C at +40°C

PERFORMANCE-TEMPERATURE-CURVE



PARAMETER

Tolerance ± 5% (± 10%)

Temperature coefficient TC ≤ ± 150 ppm/K

Stability at P_{nominal} @ 25°C, 1000 h ± 5%

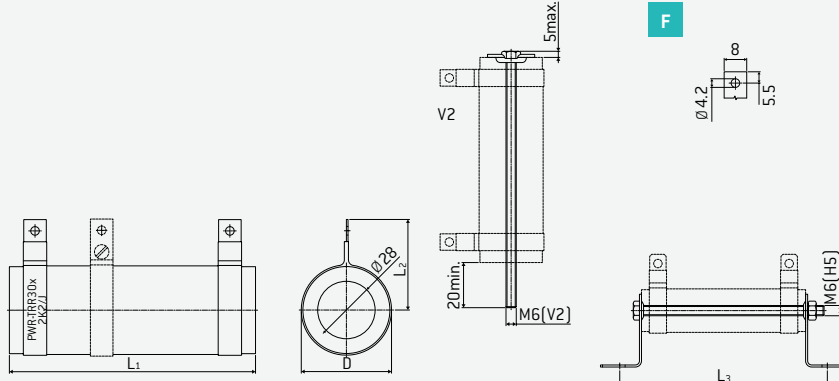
Max. overload capacity 10 x P_N in 5 sec

Test voltage against holder 3000 V ≅

PWR-TR 3XX WIRE AND TUBE RESISTOR UP TO 500 W (2)



Cemented wire tube resistors are thermally optimised resistor designs with a broad spectrum of resistance values and performances. Diverse combination possibilities of the electrical properties, as well as multiple connection and assembly options make these resistors interesting for several applications of automation technology and in mechanical and systems engineering.



TYPE SELECTION AND DIMENSIONS

| Type | PN @25°C | Resistance value | Operational voltage | Dmax | L ₁ | L _{2max} | Weight | L ₃ | Connection |
|------------|----------|------------------|---------------------|------|----------------|-------------------|--------|----------------|------------|
| | | | | mm | mm | mm | g | mm | |
| PWR-TR 305 | 200 W | 0R7 – 82K | 2 000 V | 47 | 130 ± 3 | 50 | 300 | 155 ± 1 | F |
| PWR-TR 306 | 300 W | 1R0 – 120K | 2 500 V | 47 | 182 ± 3.4 | 50 | 400 | 208 ± 1 | F |
| PWR-TR 307 | 400 W | 1R5 – 160K | 2 750 V | 47 | 250 ± 4.2 | 50 | 550 | 277 ± 1 | F |
| PWR-TR 308 | 500 W | 2R6 – 200K | 3 000 V | 47 | 310 ± 5 | 50 | 700 | 337 ± 1 | F |

PWR-TRR – Adjustable resistors with additional tap clamp

SAMPLE ORDER

PWR-TR308 180 K 10% F H5

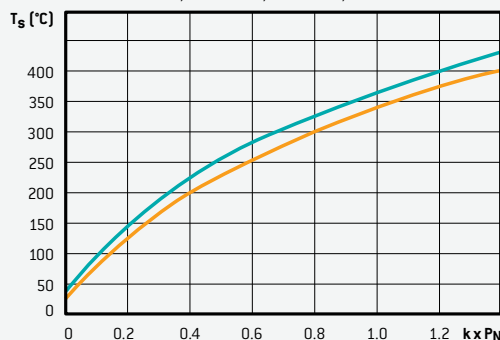
Holder H5 (91g)
V2 (57g)

Degree of protection IP 00

Storage temperature – 25°C at +40°C

PERFORMANCE-TEMPERATURE-CURVE

T_S - Surface temperature of the resistor, k x P_N - proportionate nominal power
 — PWR-TR 305, PWR-TR 306, PWR-TR 307, PWR-TR 308



PARAMETER

Tolerance ± 5% (± 10%)

Temperature coefficient TC ≤ ± 150 ppm/K

Stability at P_{nominal} @ 25°C, 1000 h ± 5%

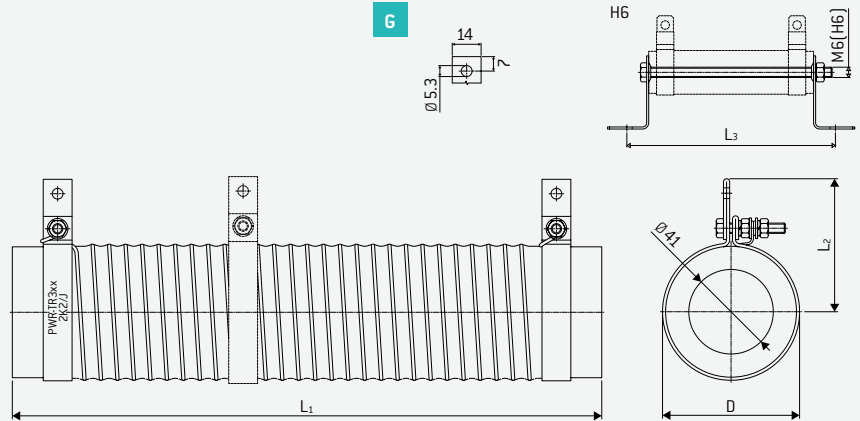
Max. overload capacity 10 x P_N in 5 sec

Test voltage against holder 4000 V ≅

PWR-TR 3XX WIRE AND TUBE RESISTOR UP TO 1300 W (3)



Cemented wire tube resistors are thermally optimised resistor designs with a broad spectrum of resistance values and performances. Diverse combination possibilities of the electrical properties, as well as multiple connection and assembly options make these resistors interesting for several applications of automation technology and in mechanical and systems engineering.



TYPE SELECTION AND DIMENSIONS

| Type | PN @25°C | Resistance value | Operational voltage | Dmax | L ₁ | L _{2max} | Weight | L ₃ | Connection |
|------------|----------|------------------|---------------------|------|----------------|-------------------|--------|----------------|------------|
| | | | | mm | mm | mm | g | mm | |
| PWR-TR 309 | 750 W | 3R6 – 130K | 4 000 V | 68 | 390 ± 5.5 | 68 | 2 200 | 430 ± 1 | G |
| PWR-TR 310 | 1000 W | 4R7 – 180K | 4 500 V | 68 | 515 ± 6.8 | 68 | 2 800 | 555 ± 1 | G |
| PWR-TR 320 | 1300 W | 6R2 – 180K | 4 500 V | 68 | 660 ± 6.8 | 68 | 3 500 | 700 ± 1 | G |

PWR-TRR – Adjustable resistors with additional tap clamp

SAMPLE ORDER

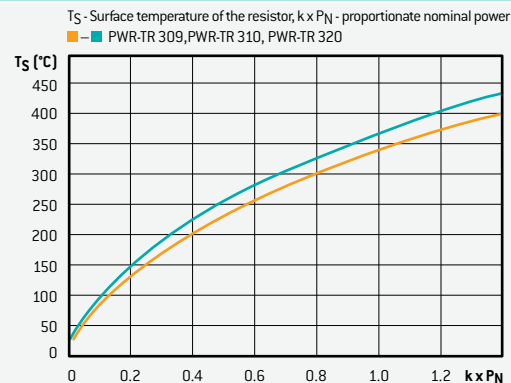
PWR-TR310 5R8 5% G H6

Holder H6 (390g)

Degree of protection IP00

Storage temperature –25°C at +40°C

PERFORMANCE-TEMPERATURE-CURVE



PARAMETER

Tolerance ± 5% (± 10%)

Temperature coefficient TC ≤ ± 150 ppm/K

Stability at P_{nominal} @ 25°C, 1000 h ± 5%

Max. overload capacity 10 x P_N in 5 sec

Test voltage against holder 4000V≅

ASSEMBLY ACCESSORIES PWR-TR

