

CONDUCTIVE PLASTIC HOLLOW SHAFT SENSOR PGL 60



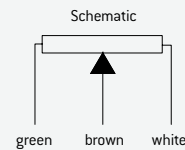
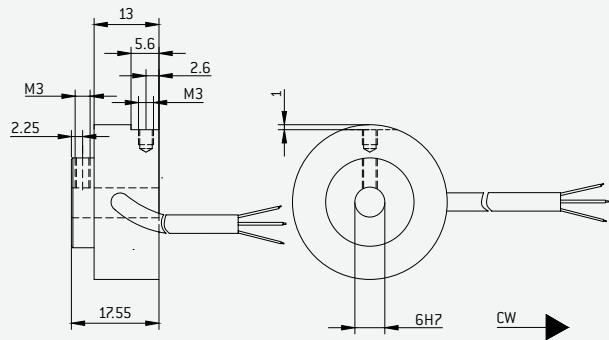
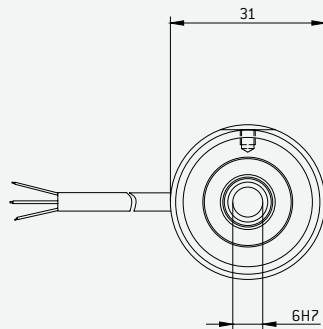
Extremely robust, with good linearity, excellent resolution and repeatability: These are the defining characteristics of the Metallux conductive plastic hollow shaft precision potentiometer PGL 60.

FEATURES

- Hollow shaft
- Extremely robust
- Extremely good linearity
- Excellent resolution and repeatability
- Ball bearing

APPLICATIONS

- Steering angle measurement on special vehicles
- Axis position sensing in robotics
- Servo systems



ELECTRICAL SPECIFICATIONS

Resistance range (Rn)	10 kΩ *
Resistance tolerance	± 20 %
Electrical angle	320° *
Independent linearity	± 2 %
Resolution	Analogue, almost infinite
Maximum wiper current	5 mA in case of malfunction
Typical supply voltage	3 – 30 VDC
Wiper load	> 100 x Rn
Insulation resistance	10 GΩ at 500 VDC
Dielectric strength	1000 VAC

Mechanical and electrical characteristics are customizable. Specifications are subject to change without notice. * Others on request.

MECHANICAL SPECIFICATIONS

Lifetime	25 million cycles
Mechanical positioning range	360° continuous rotation
Protection class	IP 63 according to DIN EN 60529
Bearing	Ball bearing

AMBIENT CONDITIONS

Operating temperature	– 25°C ... +85°C
------------------------------	------------------

MATERIAL

Housing	Anodised aluminium
Electrical connectors	Cable 1 m stripped and tinned

SAMPLE ORDER

Part no.	Type series	Resistance range	Elect. measuring range	Elect. connection	Protection class
H060502320	PGL 60	10 K	320° *	Cable connection	IP 63