

CONDUCTIVE PLASTIC, HOLLOW SHAFT POTENTIOMETER HWL 60



The Metallux hollow shaft potentiometer with conductive plastic technology features a long lifetime, a simple design and customised connectors.

FEATURES

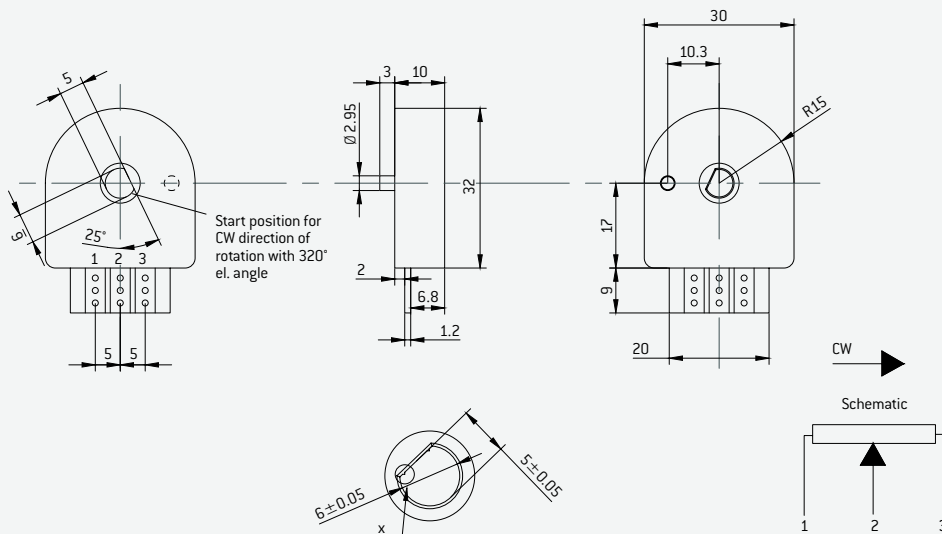
- Customised connectors
- Long lifetime

APPLICATIONS

- Flap positioning
- Valve controls
- Joysticks
- Steering angle measurement

SPECIAL FEATURES

- Redundancy possible
- Lifetime: 3 million cycles
- Special versions possible



ELECTRICAL SPECIFICATIONS

Resistance range (Rn)	10 kΩ *
Resistance tolerance	± 20 %
Electrical angle	320° *
Independent linearity	± 2 % *
Resolution	Almost infinite
Maximum wiper current	5 mA in case of malfunction
Typical supply voltage	3 – 30 VDC
Wiper load	> 100 x Rn
Insulation resistance	10 GΩ at 500 VDC
Dielectric strength	1000 VAC

Mechanical and electrical characteristics are customizable. Specifications are subject to change without notice. * Others on request.

MECHANICAL SPECIFICATIONS

Lifetime	3 million cycles
Mechanical positioning range	continuous rotation
Protection class	IP 50 according to DIN EN 60529
Torque	< 0.7 Ncm
Bearing	floating
Geometry of the bore	D-profile, Ø 6, form-locking

AMBIENT CONDITIONS

Operating temperature	–25°C ... +85°C
------------------------------	-----------------

MATERIAL

Housing	Thermoplastic
Connectors	Gold-plated solder pads

SAMPLE ORDER

Part no.	Type series	Resistance range	Elect. measuring range	Elect. connection	Protection class
H060360013	HWL 60	10 K	320°	Solder pads	IP 50