

MJ-30K JOYSTICK

Premium class
machine operation





Metallux adopts the attitude of being constantly open to new ideas. We're always ready for innovations, for new ways to develop our products and for consistent implementation of customer requirements.

Our MJ-30K Joystick is the proof of how far you can push a product when you adopt the right attitude.



Andreas Oberascher | CEO

Coordinate every movement

If you want precision in controlling the functionality of vehicles, ships, cranes, wireless applications or machines, then your code for success is MJ-30K. It represents a highly precise control unit whose resilience and ergonomics you'll appreciate. It stands for a state of the art joystick. From Metallux.

The first time you hold our new MJ-30K multiaxial joystick you'll immediately feel its superior quality: precise mechanism, high-quality haptics, ergonomic design, differentiated and perceptible feedback to your operating movements, ideal positioning of the control elements.

You'll not need any convincing: the MJ-30K is fully equal to its daily control tasks – over millions of cycles.





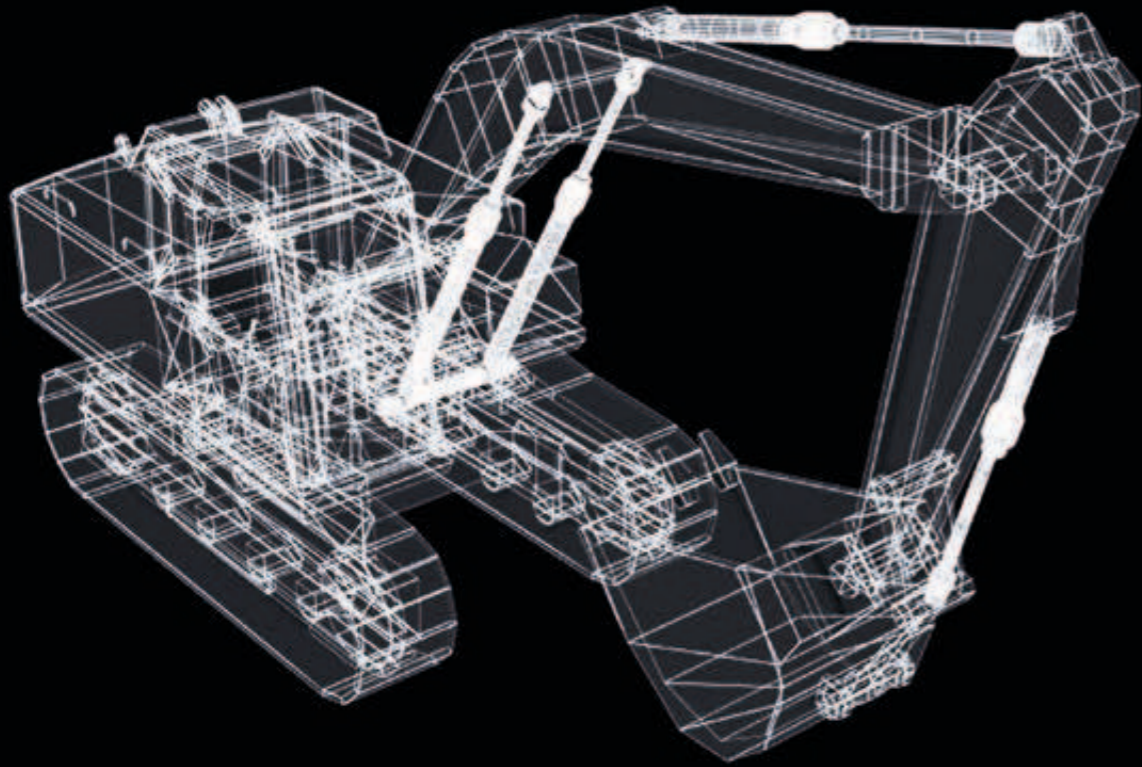
Grasp all of the advantages

Differences become evident when they extend your benefits. The more benefits a product provides, the more advantages a user enjoys. The MJ-30K Joystick from Metallux is packed with advantages.

We've equipped the MJ-30K with everything that provides more precision, better durability, improved ergonomics, greater safety and more flexibility.

You'll therefore enjoy a wide range of beneficial advantages:

- The latest technology
- Compact and robust construction
- Very shallow installation depth
- Ergonomic design
- Flexible configuration
- Modular structure
- Highest safety standard
- Fire retardant materials



Nonchalant movement of heavy equipment

Our MJ-30K Joystick can always be relied on when machine operators need to perform precision movements with large machines. Its design is superb. Its speciality is precision work.

Manoeuvring many tons with pinpoint accuracy using two fingers requires an expert at the joystick – and top technology within the joystick. Our MJ-30K is the subtle translator of hand and finger movements into the accurate working motor of a machine.

The MJ-30K is the best solution if you're looking for a configurable joystick that accurately transmits all work instructions for the following applications:

- Industrial trucks, forklifts and aerial work platforms
- Agricultural machinery
- Construction machinery
- Municipal vehicles
- Mining vehicles
- Rail vehicles
- Boats, yachts, ships
- Crane systems
- Wireless applications



Special adaptations are available on request

Our MJ-30K is a joystick that can be perfectly adapted to you and your application – because we made it to be adaptable. We can use our extensive modular system to make each MJ-30K fit for challenges that are well beyond the ordinary. It can after all prove its unique adaptability.

The version of the MJ-30K that we produce as standard is already an outstandingly good, top class joystick. It achieves perfection when we adapt it exactly to our customers' wishes. Just define what it is you'd like us to modify and we'll equip your application with perfection.

Highlights

5

Base and handle available separately

You can select the base and handle separately. Simply combine the proven, stable base from Metallux with any customer handle or with handles made by competitors. The reverse is also possible: we can mount Metallux handles on third party bases.

Modular base

The base can be expanded in a modular way. We can supplement it with a position detent or brake on request.

Freely configurable thumb panel

Operating elements including rockers, thumb wheels and button elements can be freely combined. You decide on the configuration. We'll put each element in the position you want it.

Individually crafted handle shapes

Decide on the handle shape that best fits your hand. We'll craft the shape exactly to your specification.

Greater sustainability and efficiency

The special handle design means you can simply swap the operating elements on site. You save time, reduce machine downtime, increase machine availability and sustainably extend your joystick's already long service life.

Offers a lot, can do more, lasts forever!

Versatile with interfaces

Choose your bus system. The MJ-30K Joystick for instance communicates via the CAN OPEN or SAE-J1939 system. You can even wire it directly to the control unit's I/O. Its design allows for the flexible use of a wide variety of connectors.

Safe as a matter of principle: PL, SIL

The base of the MJ-30K is designed to meet various safety requirements, including performance level (PL) and safety integrity level (SIL). Our Quality Management System is furthermore certified according to ISO 9001:2015.

Technical proficiency is coupled with excellent equipment. That's why we only use the latest components in our MJ-30K Joystick. Our customers needn't have any concerns about durability and functionality. We take care of that.

Hall-effect or potentiometer technology

We use low-wear, Hall-effect sensor technology to ensure a long service life. We can however provide Potentiometer elements as an alternative. Their low power consumption offers major advantages, especially in wireless applications and in electric vehicles.

Designed for at least 10 million cycles

We produce this joystick from milled aluminium and stainless steel. For the axial guide and bearing we use a proven high-performance plastic. An MJ-30K does its job for what feels like eternity – for as long as it takes to complete at least 10 million cycles.



Technical data

MJ-30K hand-held joystick

Mechanical data

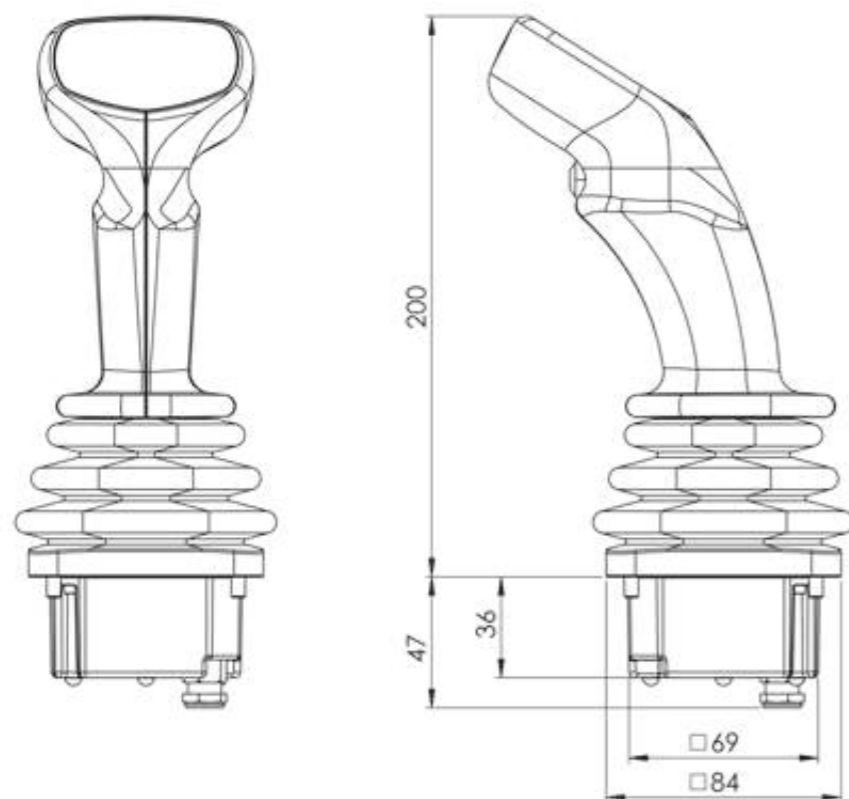
Deflection angle	maximum $\pm 28^\circ$
Service life	10 million cycles
Operating temperature	$-40^\circ\text{C} / +85^\circ\text{C}$
Installation depth	47 mm

Electrical data

Sensor technology	Hall-effect or potentiometer
Supply voltage	5 VDC $\pm 0.2\%$, with CAN 8-32 VDC
Interfaces	Analogue 0.5 – 4.5 V
	Digital
	SAE output protocol
	CANOpen output protocol
	Safety level such as SIL and PL on request
	Further output protocols on request
	Direct wiring

Options

Switching path limitation
Position detent
Friction brake
Deadman function



Specifications are subject to change without notice.

Sensors, resistors and joysticks

A brochure is far from being adequate to present the diverse Metallux portfolio. Visit our website at www.metallux.de or get in touch with our product experts.



Pressure sensors



Rotary sensors



Linear sensors



Joysticks



Power resistors



High voltage resistors

The great feeling of being understood and perfectly looked after from a technical perspective – that's a constituent part of our corporate philosophy. Customers and business partners appreciate this attitude and reward us with many years of loyalty.

Our versatile creativity brings many advantages, especially for our business partners. We create optimal solutions in the fields of sensor systems, resistor technology and joysticks.

Our customers can be sure: whatever challenge has to be solved with whatever product – we'll find a way!



Metallux AG

Robert-Bosch-Str. 29
71397 Leutenbach, Germany
Tel. +49 7195 5980-0
info@metallux.de
www.metallux.de