

# HALL POTENTIOMETER POH 120



The POH 120 is small and robust and features a freely programmable rotary angle. The measurement principle is via Hall effect as absolute measuring rotary sensor even after blackout. The POH series is available with a decoupled axis or integrated axis.

## FEATURES

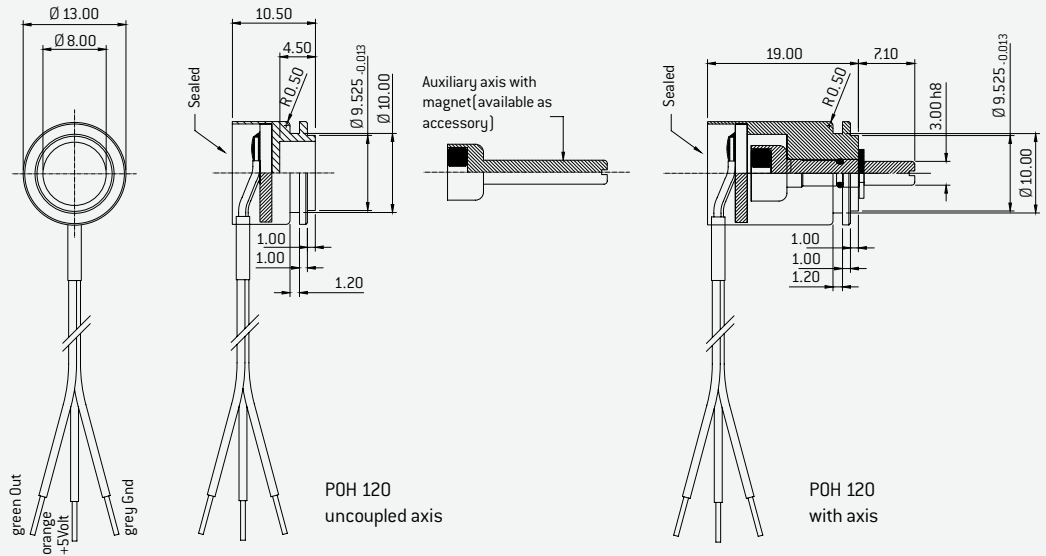
- Long lifetime
- Size  $\varnothing$  13 mm

## APPLICATIONS

- Valve controls
- Joysticks
- Steering angle measurement
- Servo systems

## SPECIAL FEATURES

- Hall sensor
- Compensation for play and tolerance by decoupled axis possible
- Freely programmable angles possible
- Load free drive when axis is uncoupled



ELECTRICAL SPECIFICATIONS	
Measuring range	0 – 360° programmable
Independent linearity	± 0.5 %
Resolution	12 bit < 0.1°
Supply voltage (Vs)	5 (± 10 %) VDC
Output signal	10 % ... 90 % of Vs
Current consumption without load (typical)	18 mA
Min. ohmic load at output	10 kOhm
Max. capacitive load at output	10 nF
Electrical connection	Tinned cable wires
Operating temperature	–40°C ... +85°C *

MECHANICAL SPECIFICATIONS	
Mechanical positioning range	360° continuous rotation
Bearing	Slide bearing / uncoupled load free
Min. lifetime (mechanical)	200 million cycles
Protection class	IP 65 with axis / IP 67 uncoupled load free (according to DIN EN 60529)
MATERIALS	
Housing material	Stainless steel
Axis material	Brass (nickel plated)
AMBIENT CONDITIONS	
Operating temperature	–40°C ... +85°C *

Mechanical and electrical characteristics are customizable. Specifications are subject to change without notice. \* Others on request.

SAMPLE ORDER				
	Part no.	Type series	Elect. measuring range	Elect. connection
POH 120 with axis	E050200120	POH	360°	Wire connection
POH 120 with uncoupled axis	E050200121	POH	360°	Wire connection