

Technical data

MJ-30K hand-held joystick

Mechanical data

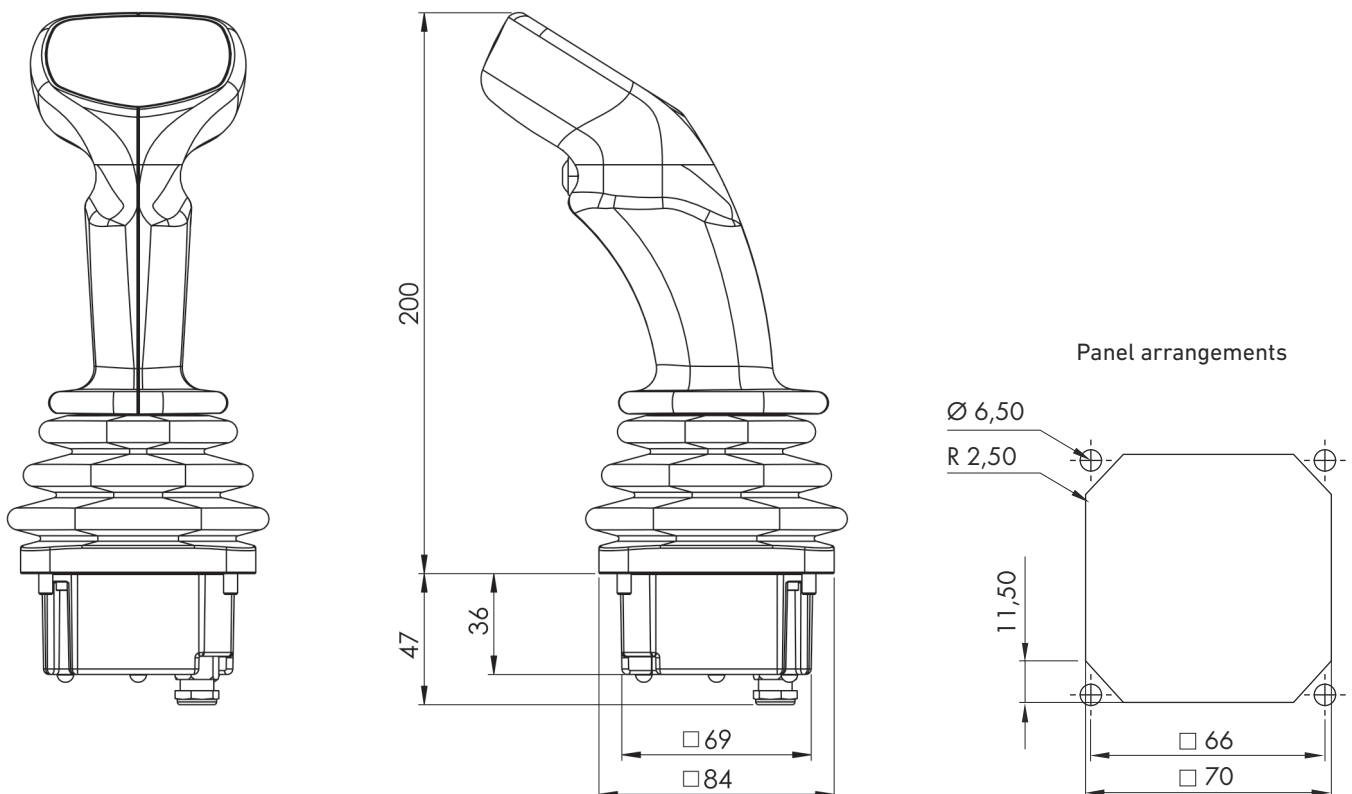
Deflection angle	maximum $\pm 28^\circ$
Service life	10 million cycles
Operating temperature	$-40^\circ\text{C} / +85^\circ\text{C}$
Installation depth	47 mm

Electrical data

Sensor technology	Hall-effect or potentiometer
Supply voltage	5 VDC $\pm 0.2\%$, with CAN 8-32 VDC
Interfaces	Analogue 0.5 – 4.5 V
	Digital
	SAE output protocol
	CANOpen output protocol
	Safety level such as SIL and PL on request
	Further output protocols on request
	Direct wiring

Options

Switching path limitation
Position detent
Friction brake
Deadman function



Specifications are subject to change without notice.